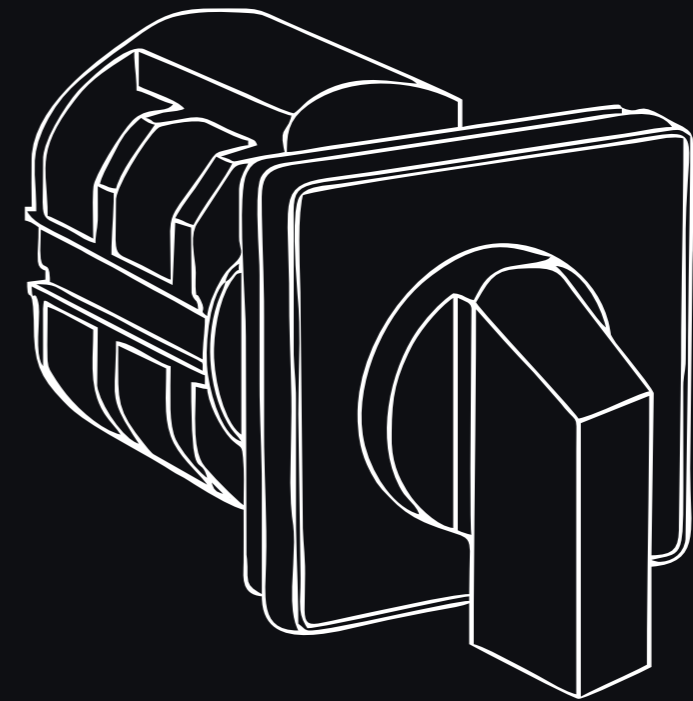
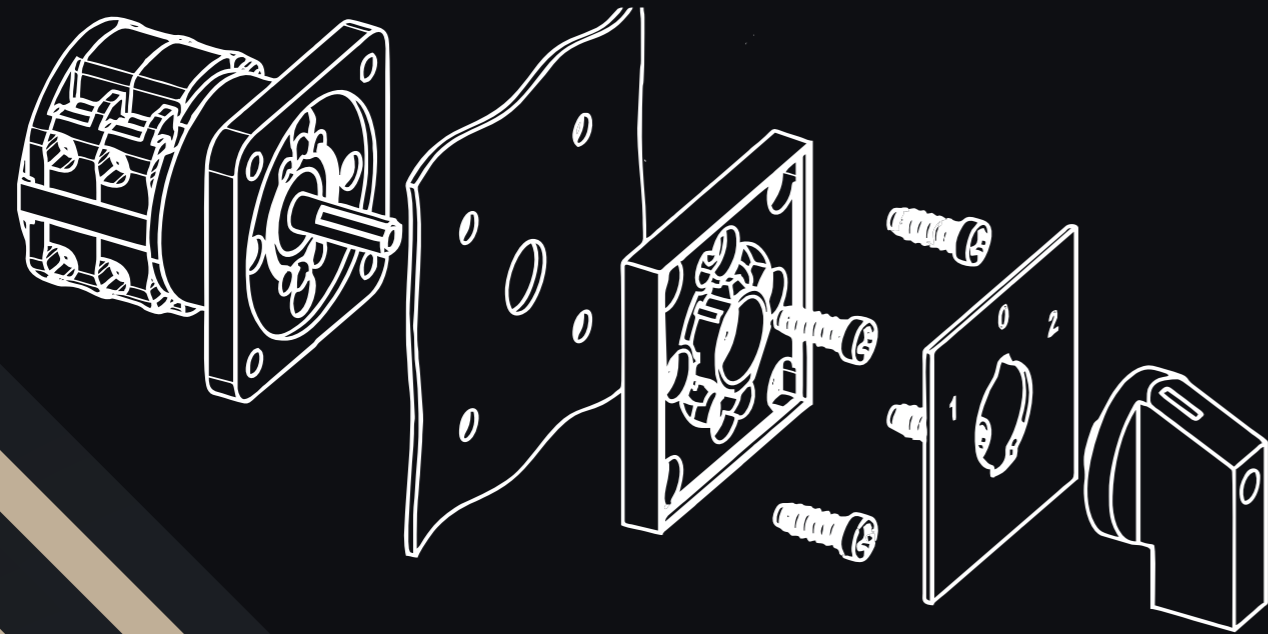


IPCS ROTARY CAM SWITCH

INFINITE POWER SDN BHD



No.19 Jalan Utarid U5/28, 40150
Shah Alam, Selangor, Malaysia

www.infinitepowersb.com
senthil@infinitepowersb.com

IPCS ROTARY CAM SWITCH

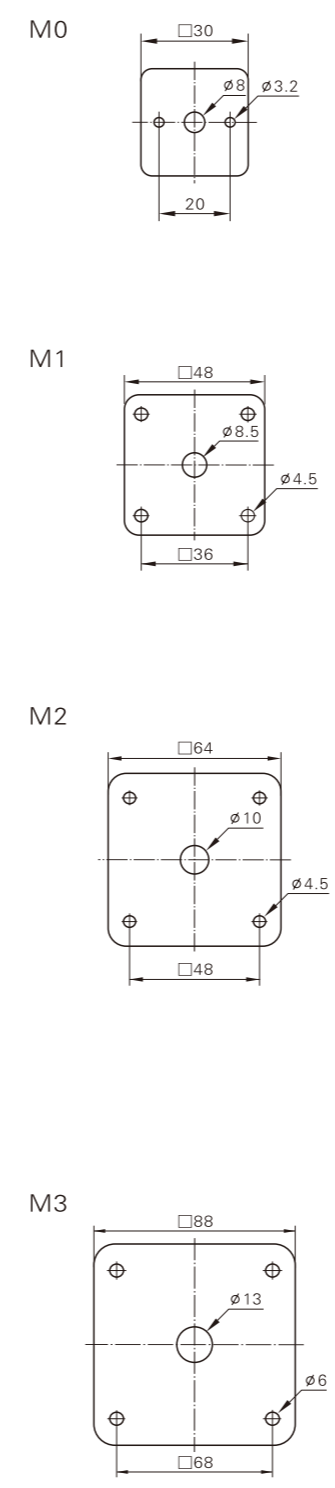
IPCS ROTARY CAM SWITCH

ITEM CODE EXPLANATION

ESCUTCHEON PLATE AND HANDLE

IPCS-20 / 61002 / R1

SWITCH BODY		SCHEME TYPE		MOUNTING	
CODE	AC-21A	CODE	FUNCTION	CODE	MOUNTING
IPCS-10	10A		ON-OFF SWITCHES		
IPCS-20	20A	61001	OFF-ON 1 Pole	R	REAR PANEL
IPCS-25	25A	61002	OFF-ON 2 Poles		
IPCS-32	32A	61003	OFF-ON 3 Poles		
IPCS-32F	32A	61004	OFF-ON 4 Poles		BASE
IPCS-63	63A	61005	OFF-ON 5 Poles	B	
IPCS-125	125A	61006	OFF-ON 6 Poles		
IPCS-160	160A	61007	OFF-ON 7 Poles		ENCLOSURE
		61008	OFF-ON 8 Poles	E	
			CHANGEOVER SWITCHES		
		61025	Changeover switch 1 Pole		
		61026	Changeover switch 2 Poles		
		61027	Changeover switch 3 Poles		
		61028	Changeover switch 4 Poles		
			MOTOR SWITCHES		
		61211	FOR-OFF-REV		
		61200	0-Star-Delta		
		61203	Delta-Star-0-Star-Delta		
			STEP SWITCHES		
		61037	1-2 1 Pole		
		61049	1-2-3 1 Pole		
		61059	0-1-2 1 Pole		
		61060	0-1-2-3 1 Pole		



Type	Color	Specification of Plate					Type	Color	Specification of Plate				
		M0	M1	M2	M3	M4			M0	M1	M2	M3	M4
R type	Black	●	●	●			I type	Black	●	●	●	●	●
	Red		●	●				Red	●	●			
	White							White					
	Grey							Grey					
R2 type	Black		●	●			B type	Black	●	●			
	Red							Red	●				
	White							White		●			
F type	Black	●	●	●			L type	Black			●		
	Red							Red					
	White							White					
H type	Black				●		O type	Black				●	
	Red							Red					
	White							White					
P type	Black				●	●	K type	Black			●	●	
	Red							Red					
	White							White					

Re: ● Standard ● Optional

Specification	Specification of Plate					Type of Handle											Rotating Angle				Max Layer			
	M0	M1	M2	M3	M4	R	R2	F	I	B	H	L	O	P	K	30°	45°	60°	90°	2	10	8	6	
IPCS-10	●																							
IPCS-20		●	●																					
IPCS-25		●	●																					
IPCS-32			●	●																				
IPCS-32F			●	●																				●
IPCS-63			●	●																				●
IPCS-125				●	●																			●
IPCS-160					●	●																		●

IPCS ROTARY CAM SWITCH

IPCS ROTARY CAM SWITCH

MOUNTING OPITONS

R

REAR PANEL MOUNTING



R1

- ➔ Four hole mounting
- ➔ Silver plate/Yellow plate
- ➔ Black knob/Red knob



R2

- ➔ Four hole mounting
- ➔ Grey plate/Yellow plate
- ➔ Black knob/Red knob
- ➔ Padlockable



R3

- ➔ Four hole mounting
- ➔ Silver plate/Yellow plate
- ➔ Black knob/Red knob
- ➔ Padlockable



R4

- ➔ Single hole mounting
ø22/ø30
- ➔ Silver plate
- ➔ Black knob/Key operated



R5

- ➔ Single hole mounting
ø22/ø30
- ➔ Without plate
- ➔ Black knob/Key operated



R6

- ➔ Double hole mounting
- ➔ Without plate
- ➔ Black knob/Red knob

B

BASE MOUNTING



B1

- ➔ Four hole base mounting
- ➔ Silver plate/Yellow plate
- ➔ Black knob/Red knob



B2

- ➔ 35mm DIN RAIL mounting
- ➔ Silver plate/Yellow plate
- ➔ Black knob/Red knob



B3

- ➔ Four hole base mounting
- ➔ Silver plate/Yellow plate
- ➔ Black knob/Red knob
- ➔ Door interlock
- ➔ Custom shaft length

E

ENCLOSURES MOUNTING



E1

- ➔ Base mounting
- ➔ Silver plate/Yellow plate
- ➔ Black knob/Red knob
- ➔ Padlockable/Key operated
- ➔ IP65



E2

- ➔ Four hole base mounting
- ➔ Silver plate/Yellow plate
- ➔ Black knob/Red knob
- ➔ IP65

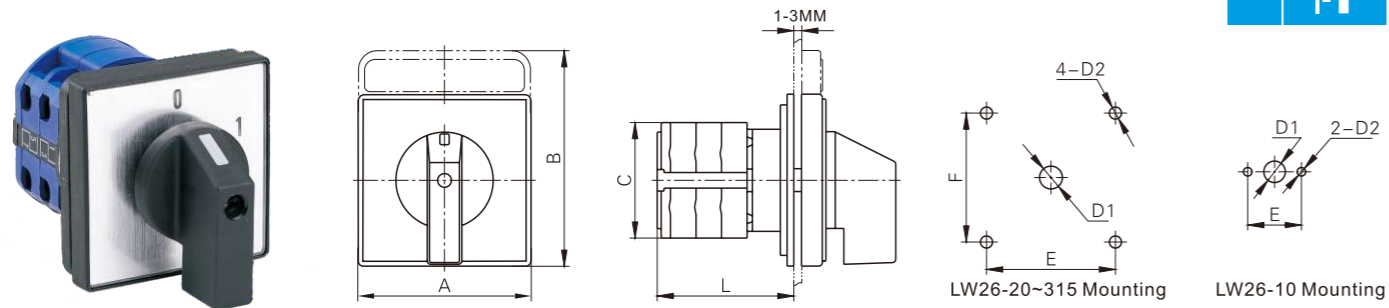


E3

- ➔ Four hole side mounting
- ➔ Silver plate
- ➔ Black knob
- ➔ IP40

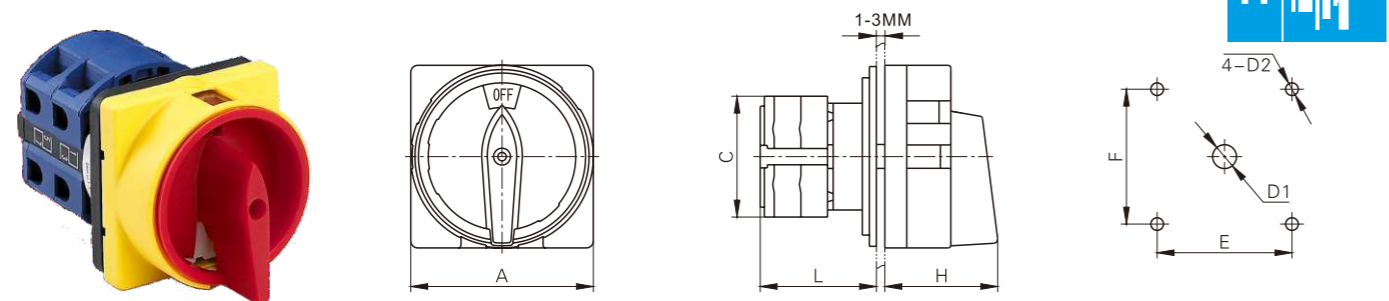
IPCS ROTARY CAM SWITCH

REAR PANEL MOUNTING: R1



Description	Plate Size	Dimensions (mm)				Mounting (mm)			
		A	B	C	L	E	F	D1	D2
IPCS-10	M0	30	30	28	22+8n	20		∅ 8	∅ 3.2
IPCS-20	M1	48	48	43	22+9.6n	36	36	∅ 8.5	∅ 4.5
	M2	64	64	43	25+9.6n	48	48	∅ 10	∅ 4.5
IPCS-25	M1	48	48	45.2	23+12.8n	36	36	∅ 8.5	∅ 4.5
	M2	64	64	45.2	26.5+12.8n	48	48	∅ 10	∅ 4.5
IPCS-32	M2	64	64	58	29.2+12.8n	48	48	∅ 10	∅ 4.5
	M3	88	88	58	29.2+12.8n	68	68	∅ 13	∅ 6
IPCS-32F	M1	48	48	48	23+14n	36	36	∅ 8.5	∅ 4.5
	M2	64	64	48	24.5+14n	48	48	∅ 10	∅ 4.5
IPCS-63	M2	64	64	66	29.2+21.5n	48	48	∅ 10	∅ 4.5
	M3	88	88	66	29.2+21.5n	68	68	∅ 13	∅ 6
IPCS-125	M3	88	88	84	35+26.5n	68	68	∅ 13	∅ 6
IPCS-160	M3	88	88	88	35+32.5n	68	68	∅ 13	∅ 6

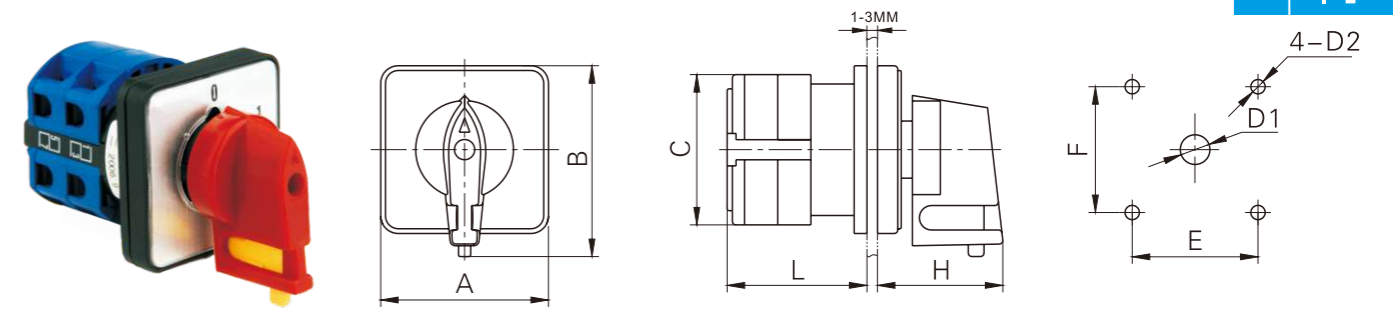
REAR PANEL MOUNTING: R2



Description	Plate Size	Dimensions (mm)				Mounting (mm)			
		A	C	L	H	E	F	D1	D2
IPCS-20	M1	∅48	43	42	33	36	36	∅ 8.5	∅ 4.5
IPCS-25	M1	∅48	45.2	50	33	36	36	∅ 8.5	∅ 4.5
IPCS-32	M2	∅64	58	55	42	48	48	∅ 10	∅ 4.5
IPCS-63	M2	∅64	66	72.5	42	48	48	∅ 10	∅ 4.5
IPCS-125	M3	∅88	84	88	52	68	68	∅ 13	∅ 6
IPCS-160	M3	∅88	88	100	52	68	68	∅ 13	∅ 6

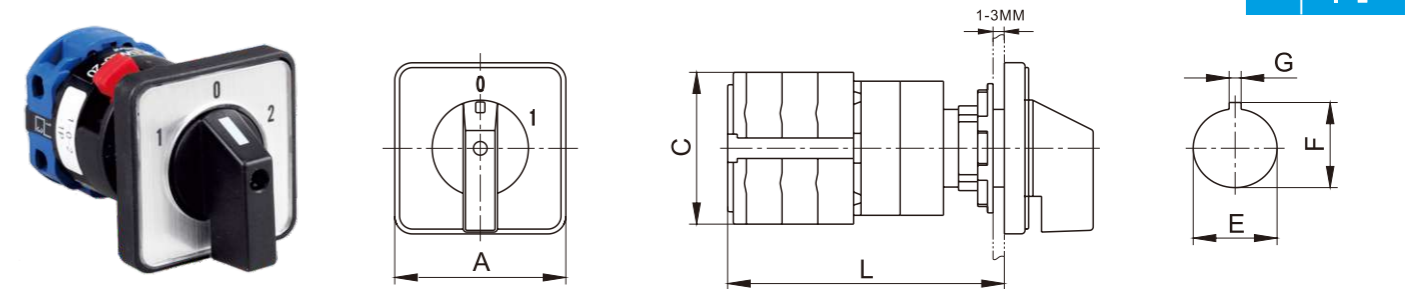
IPCS ROTARY CAM SWITCH

REAR PANEL MOUNTING: R3



Description	Plate Size	Dimensions (mm)					Mounting (mm)			
		A	B	C	L	H	E	F	D1	D2
IPCS-20	M1	∅48	55	43	22+9.6n	36max	36	36	∅ 8.5	∅ 4.5
IPCS-25	M1	∅48	55	45.2	25+12.8n	36max	36	36	∅ 8.5	∅ 4.5
IPCS-32F	M1	∅48	55	48	23+14n	36max	36	36	∅ 8.5	∅ 4.5

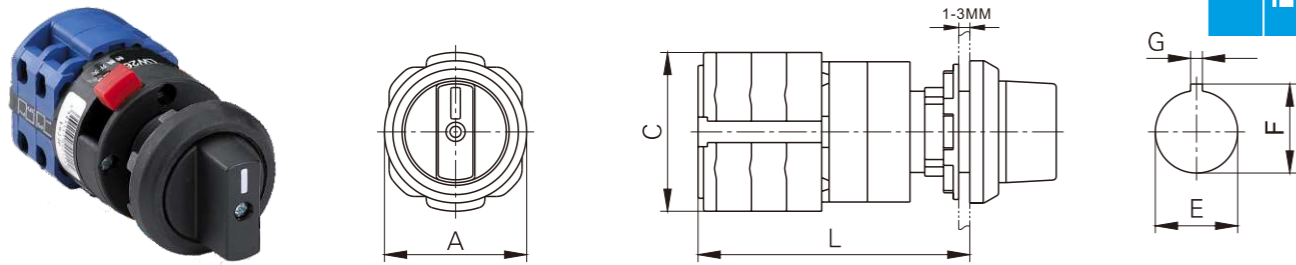
REAR PANEL MOUNTING: R4



Description	Plate Size	Dimensions (mm)			Mounting (mm)			Type of handle			
		A	C	L	E	F	G	I	B	F	S4 key
IPCS-10	M0	∅30	28	35+8n	∅ 16.2	18	1.9	●		●	
IPCS-20	M1	∅48	43	42+9.6n	∅ 22.3	24.1	3.2	●	●	●	●
IPCS-20	M1	∅48	43	42+9.6n	∅ 30.5	33	4.8	●	●	●	●
IPCS-25	M1	∅48	45.2	42+12.8n	∅ 22.3	24.1	3.2	●	●	●	●
IPCS-25	M1	∅48	45.2	42+12.8n	∅ 30.5	33	4.8	●	●	●	●
IPCS-32F	M1	∅48	48	42+14n	∅ 22.3	24.1	3.2	●	●	●	●
IPCS-32F	M1	∅48	48	42+14n	∅ 30.5	33	4.8	●	●	●	●

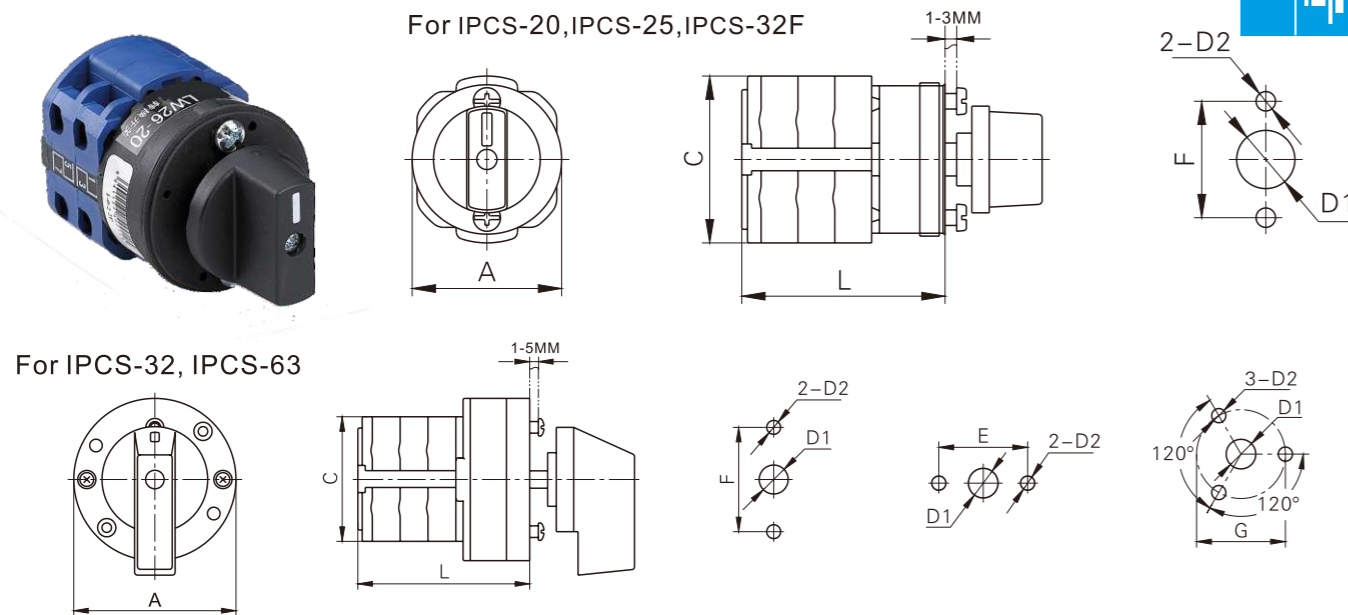
IPCS ROTARY CAM SWITCH

REAR PANEL MOUNTING: R5



Description	Dimensions (mm)			Mounting (mm)			Type of handle			
	A	C	L	E	F	G	I	B	F	S4 key
IPCS-10	∅29	28	35+8n	∅16.2	18	1.9	●		●	
IPCS-20	∅39	43	42+9.6n	∅22.3	24.1	3.2	●	●	●	●
IPCS-20	∅39	43	42+9.6n	∅30.5	33	4.8	●	●	●	●
IPCS-25	∅39	45.2	42+12.8n	∅22.3	24.1	3.2	●	●	●	●
IPCS-25	∅39	45.2	42+12.8n	∅30.5	33	4.8	●	●	●	●
IPCS-32F	∅39	48	42+14n	∅22.3	24.1	3.2	●	●	●	●
IPCS-32F	∅39	48	42+14n	∅30.5	33	4.8	●	●	●	●

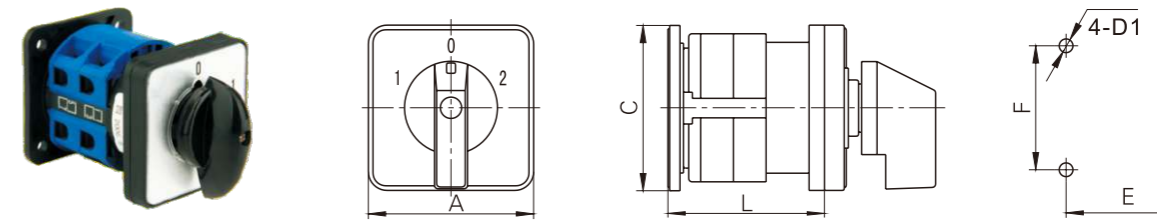
REAR PANEL MOUNTING: R6



Description	Dimensions (mm)			Installation (mm)				
	A	C	L	E	F	G	D1	D2
IPCS-20	39	43	24+9.6n		30		∅15	∅5
IPCS-25	39	45.2	25+12.8n		30		∅15	∅5
IPCS-32F	39	48	25+14n		30		∅15	∅5
IPCS-32	56	58	30+12.8n	30	36	30	∅10	∅4.5
IPCS-63	56	66	30+21.5n	30	36	30	∅10	∅4.5

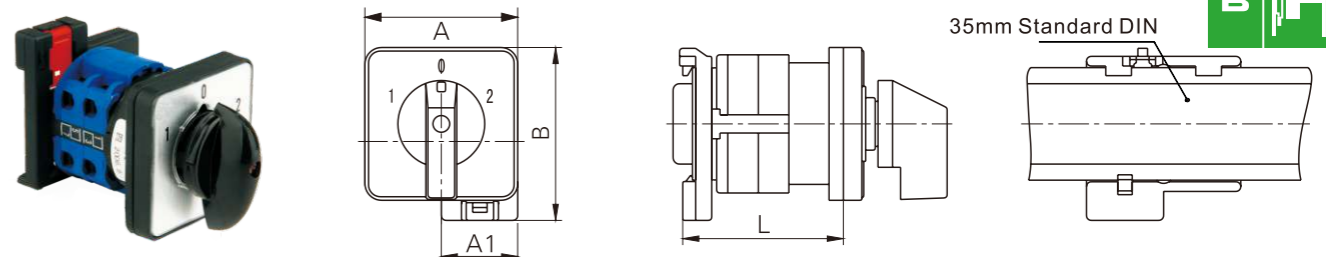
IPCS ROTARY CAM SWITCH

BASE MOUNTING: B1



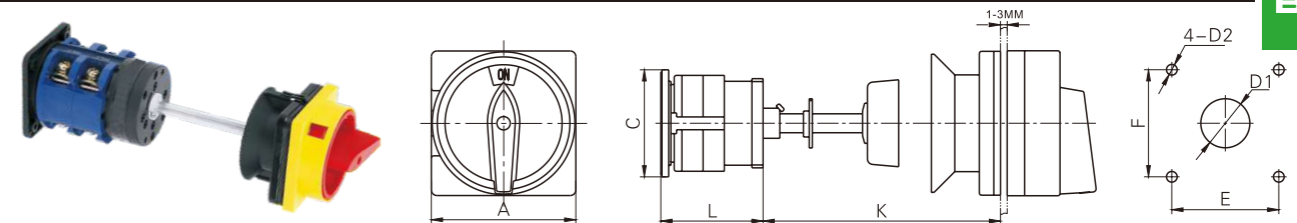
Specification	Dimensions (mm)			Mounting (mm)		
	A	C	L	E	F	D1
IPCS-20	∅48	48	26.5+9.6n	36	36	∅4.5
IPCS-25	∅48	48	27.5+12.8n	36	36	∅4.5
IPCS-32	∅64	64	33+12.8n	48	48	∅4.5
IPCS-32F	∅48	64	27.5+14n	48	48	∅4.5
IPCS-63	∅64	64	33+21.5n	48	48	∅4.5
IPCS-125	∅88	88	42+26.5n	64	64	∅6
IPCS-160	∅88	88	42+32n	64	64	∅6

BASE MOUNTING: B2



Specification	Dimensions (mm)				Specification	Dimensions (mm)			
	A	A1	B	L		A	A1	B	L
IPCS-20	∅48	24	54	31+9.6n	IPCS-63	∅64	35	60	40+21.5n
IPCS-25	∅48	24	54	32+12.8n	IPCS-125	∅88	35	60	51+26.5n
IPCS-32	∅48	24	54	32+14n	IPCS-160	∅88	35	60	51+32.5n
IPCS-32F	∅64	35	60	40+12.8n					

BASE MOUNTING: B3

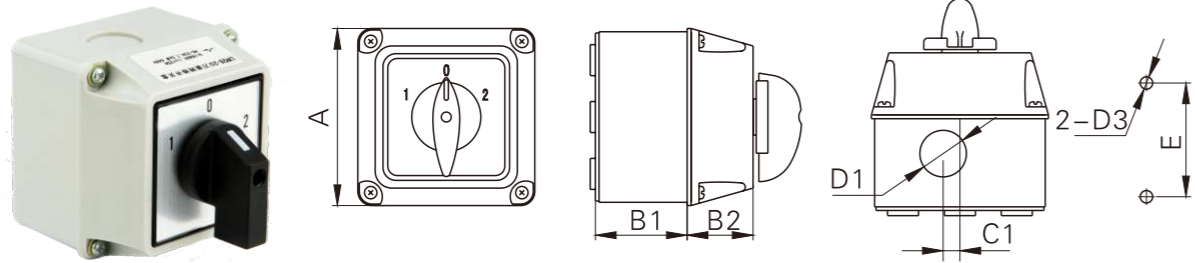


Specification	Dimensions (mm)				Mounting (mm)			
	A	C	L	K	E	F	D1	D2
IPCS-20	∅66	48	27+9.6n	150	36	36	∅22	∅4.5
IPCS-25	∅66	48	28+12.8n	150	36	36	∅22	∅4.5
IPCS-32	∅66	64	37.5+12.8n	150	48	48	∅22	∅4.5
IPCS-32F	∅66	64	28+14n	150	48	48	∅22	∅4.5
IPCS-63	∅66	64	37.5+21.5n	150	48	48	∅22	∅4.5
IPCS-125	∅89	68	101+26.5n	150	68	68	∅30	∅6
IPCS-160	∅89	68	113+32.5n	150	68	68	∅30	∅6

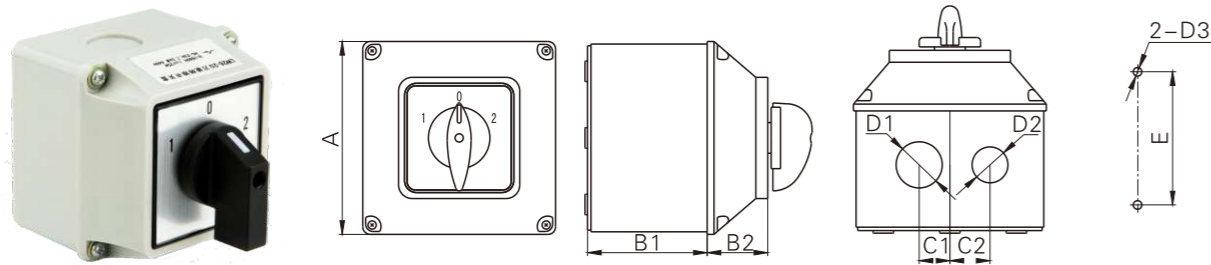
IPCS ROTARY CAM SWITCH

ENCLOSURES MOUNTING: E1

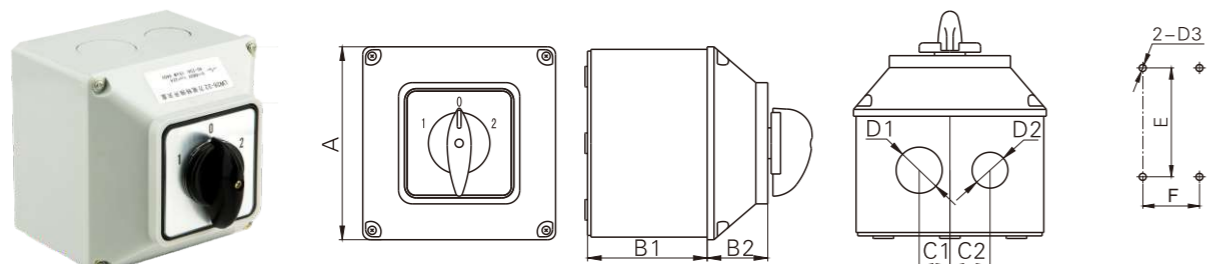
IP65



	Description	Dimensions (mm)				Mounting (mm)			Layers
		A	B1	B2	C1	D1	D3	E	
B1	IPCS-20	□68.5	55	25.5	6.5	∅18	∅5	44	1~4
	IPCS-25	□68.5	55	25.5	6.5	∅18	∅5	44	1~3
	IPCS-32F	□68.5	55	25.5	6.5	∅18	∅5	44	1~3



	Description	Dimensions (mm)					Mounting (mm)					Layers
		A	B1	B2	C1	C2	D1	D2	D3	E	E	
B2	IPCS-20	□113	102.5	35.5	18	23.5	∅27	∅21	∅5	78		1~10
	IPCS-25	□113	102.5	35.5	18	23.5	∅27	∅21	∅5	78		1~8
	IPCS-32F	□113	102.5	35.5	18	23.5	∅27	∅21	∅5	78		1~7
	IPCS-32	□113	102.5	35.5	18	23.5	∅27	∅21	∅5	78		1~8
	IPCS-63	□113	102.5	35.5	18	23.5	∅27	∅21	∅5	78		1~4

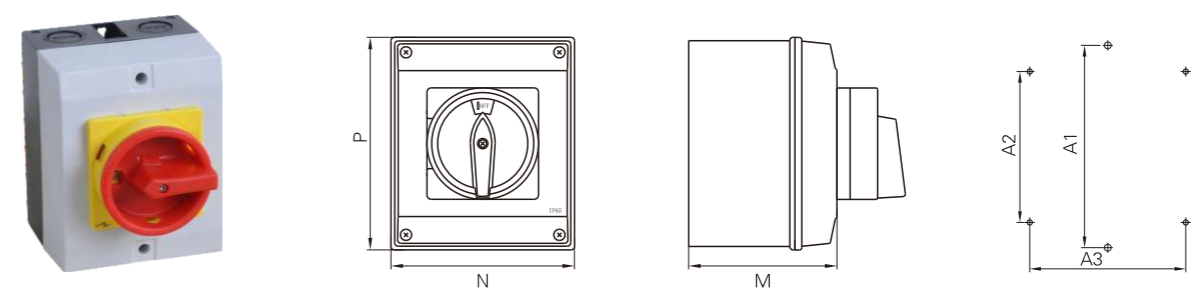


	Description	Dimensions (mm)					Mounting (mm)					Layers
		A	B1	B2	C1	C2	D1	D2	D3	E	F	
B3	IPCS-125	□152	148.5	44	22	25	∅32	∅25	∅5	106	48	1~4
	IPCS-160	□152	148.5	44	22	25	∅32	∅25	∅5	106	48	1~4

IPCS ROTARY CAM SWITCH

ENCLOSURES MOUNTING: E2

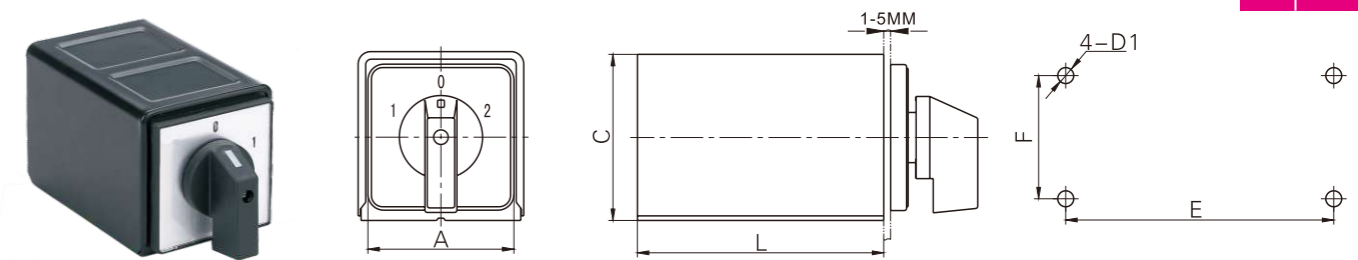
IP65



	Description	Dimensions (mm)			Mounting (mm)			Layers
		M	N	P	A1	A2	A3	
X1	IPCS-20	80	100	125	115	80	80	1~4
	IPCS-25	80	100	125	115	80	80	1~3
	IPCS-32	80	100	125	115	80	80	1~3
	IPCS-63	80	100	125	115	80	80	1~1
X2	IPCS-20	85	115	175	160	90	90	1~5
	IPCS-25	85	115	175	160	90	90	1~4
	IPCS-32	85	115	175	160	90	90	1~3
	IPCS-63	85	115	175	160	90	90	1~2
X3	IPCS-125	120	160	240	-	193	142	1~2
	IPCS-160	120	160	240	-	193	142	1~2

ENCLOSURES MOUNTING: E3

IP40



Description	Dimensions (mm)			Mounting (mm)			Layers
	A	C	L	E	F	D1	
IPCS-20	□64	74	108	69.5	54	∅7	1~6
IPCS-25	□64	74	108	69.5	54	∅7	1~6
IPCS-32F	□64	74	108	69.5	54	∅7	1~4
IPCS-32	□64	74	108	69.5	54	∅7	1~4